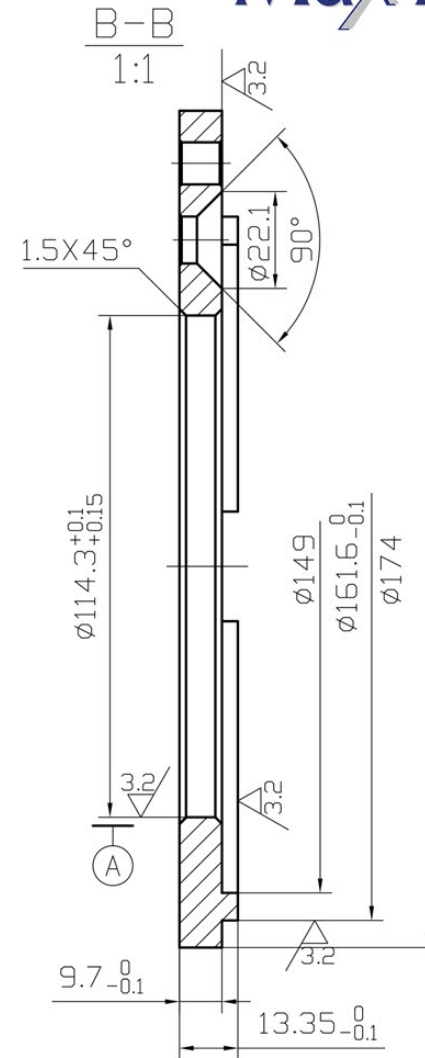
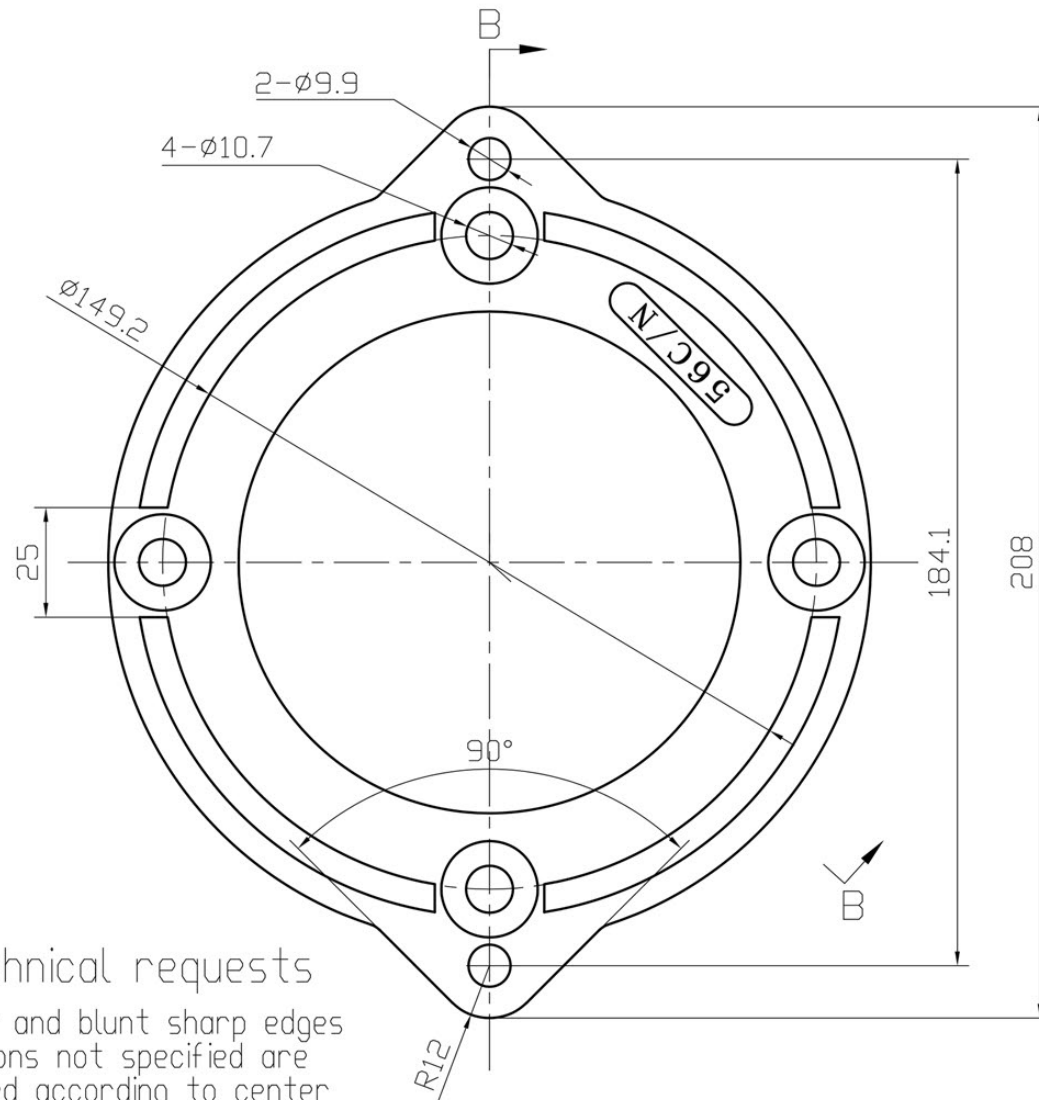


## MTR-134FDCH

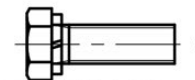
|   |                    |     |      |       |           |
|---|--------------------|-----|------|-------|-----------|
| Version:2HUA  | Revised: July 2020 | HP  | RPM  | FRAME | ENCLOSURE |
| Customer is responsible in determining that MaxMotion product will fit/perform suitably in the intended application |                    | 1/3 | 1800 | 56C   | TEFC      |



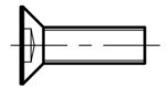
technical requests

debur and blunt sharp edges  
 dimensions not specified are  
 machined according to center  
 symmetry

**ITEM #:56C/N**



5/16-18UNCx1-1/4  
 With Spring Washer Galvanized  
 2 PCS



3/8-16UNCx1  
 Blackening  
 4 PCS